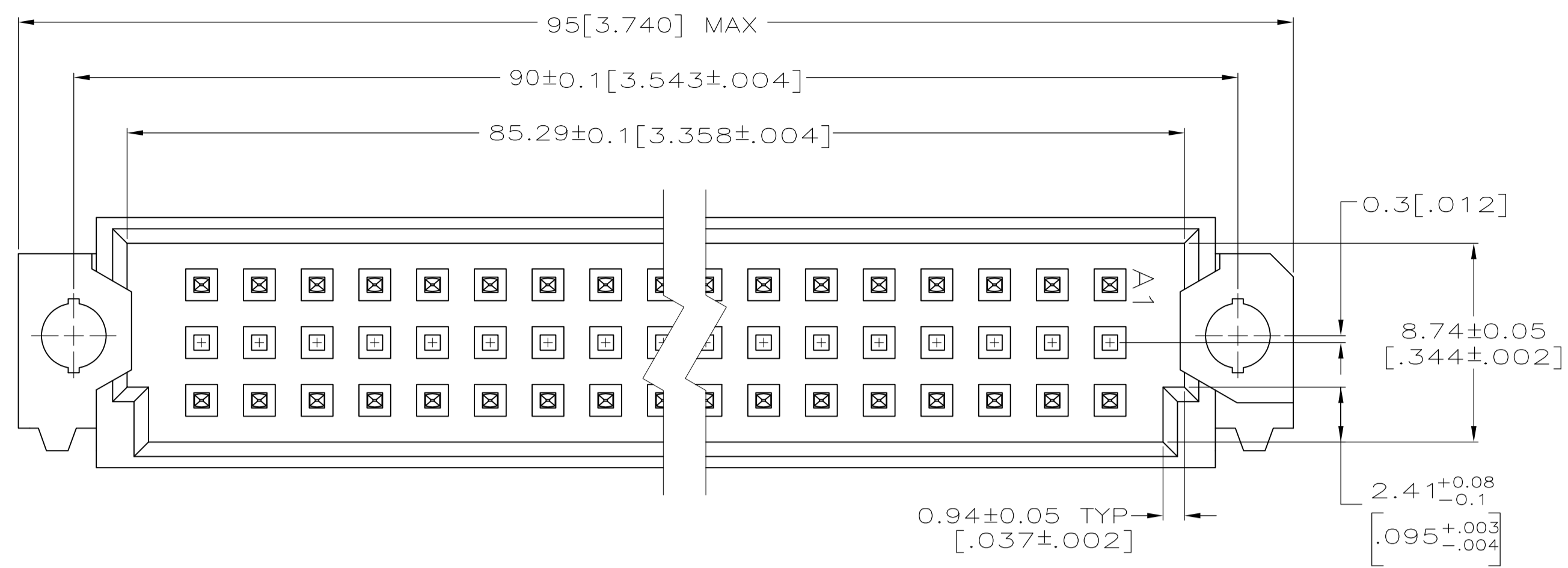
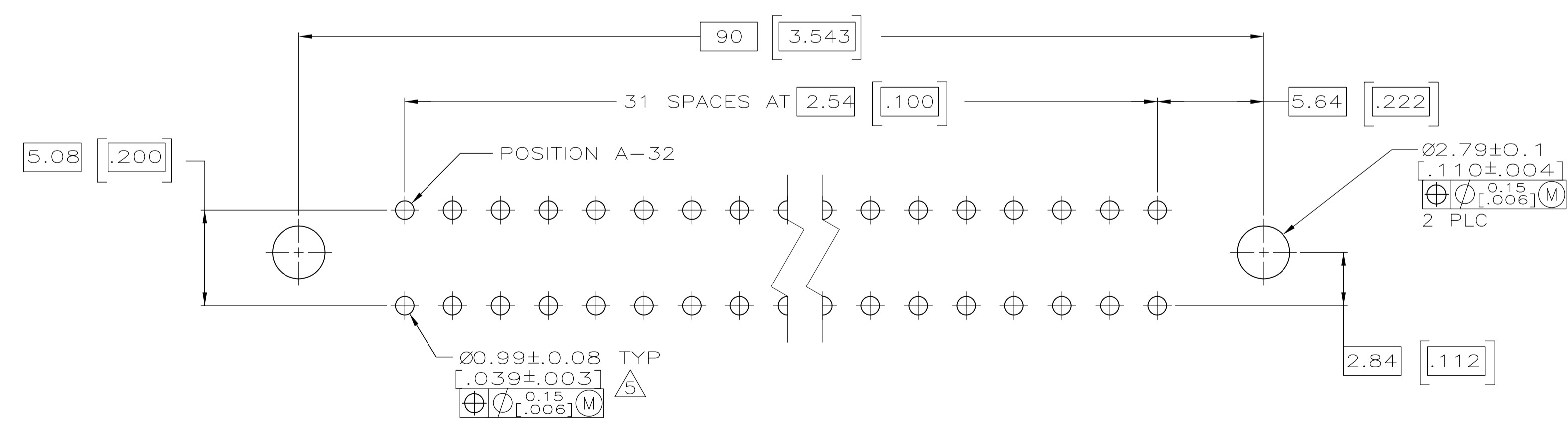
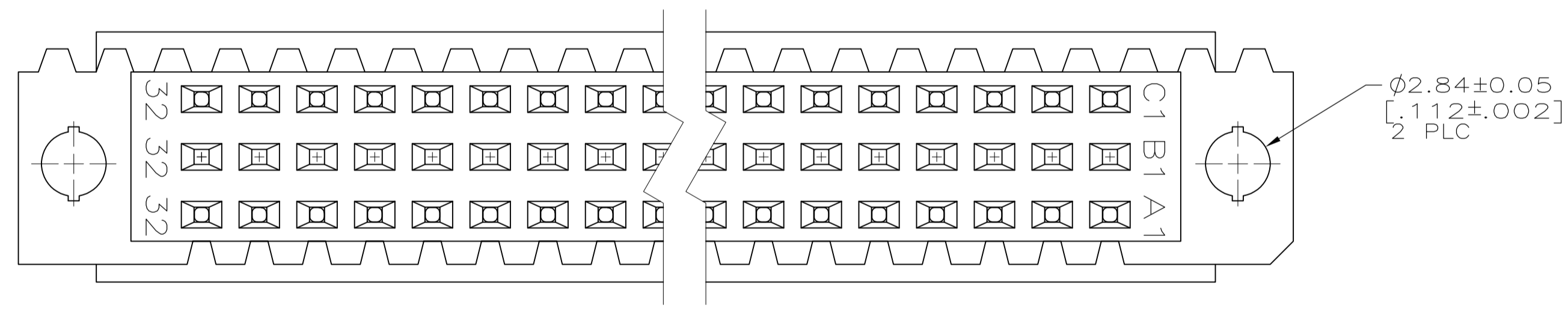
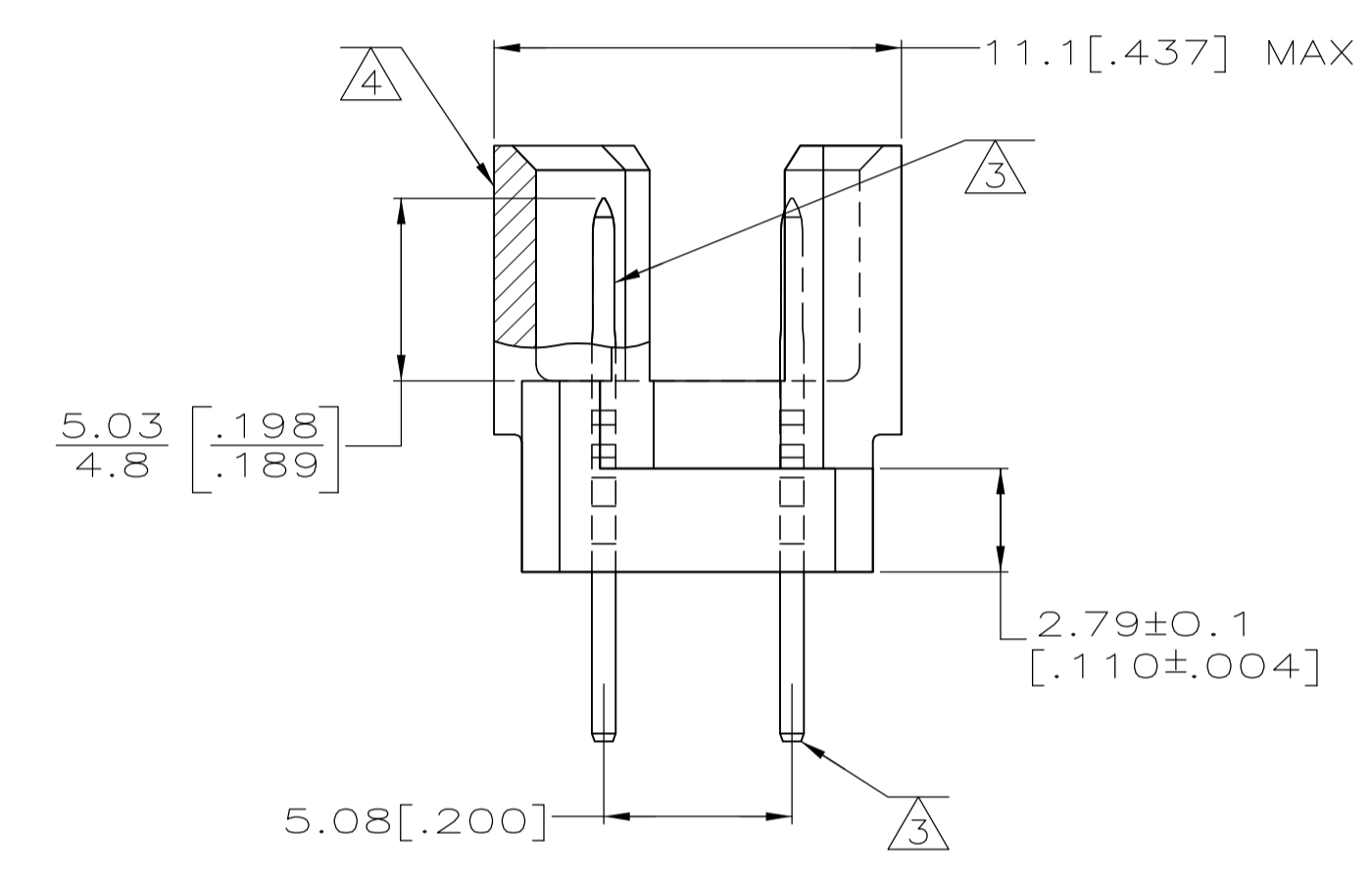
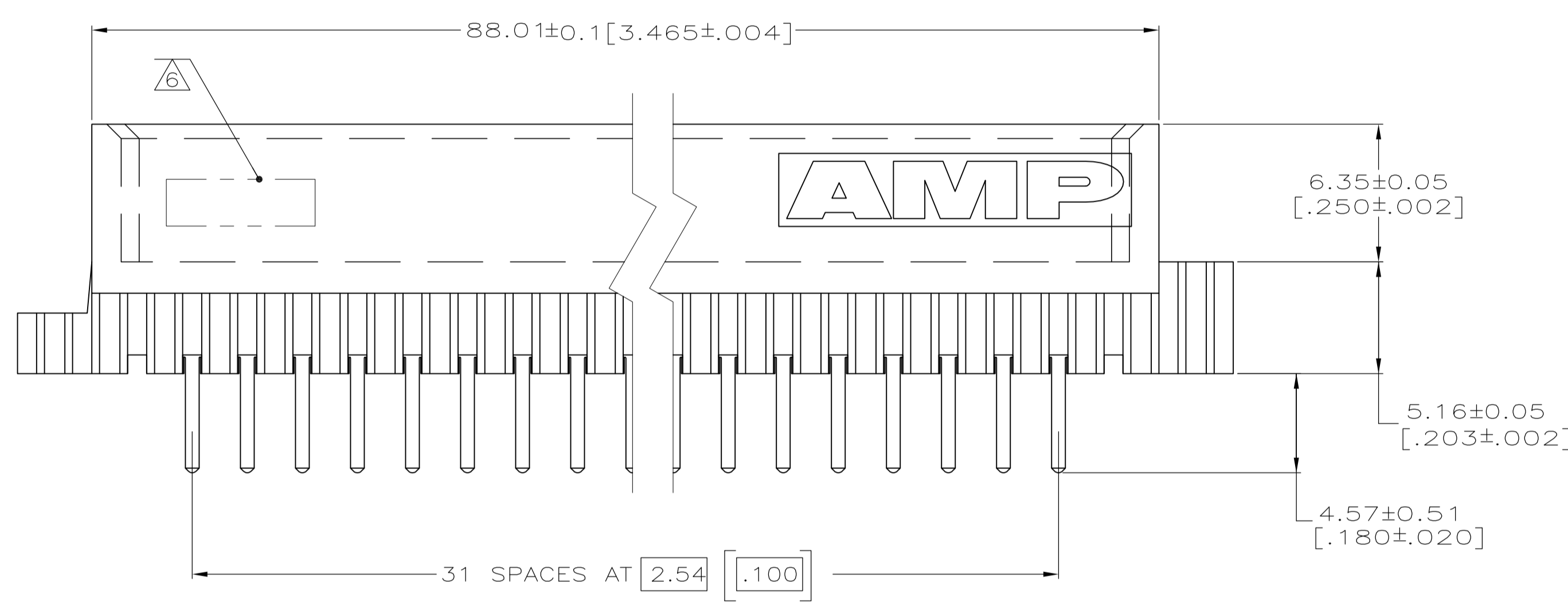


LOC		DIST		REVISIONS				
P	LTR	DATE	DMN	APVD				
AD	25	01						
		REVISED PER ECO-07-012819			28JUN07	DH	DB	



- ① HOUSING MATERIAL: GLASS-FILLED POLYMER.
- ② POST MATERIAL: COPPER ALLOY.
- ③ POST FINISH: DIN 41612 CLASS 2 IN CONTACT AREA. TIN PLATE ON POSTS.
- ④ MARKING ON THIS SIDE.
- ⑤ RECOMMENDED HOLE SIZE FOR MANUAL APPLICATION OF CONNECTOR ONTO PC BOARD.
- ⑥ [PART NUMBER, DATE CODE] MARKED THIS APPROXIMATE AREA.



PC BOARD LAYOUT

1-32	X	-	X	64	5650934-5
POSITIONS LOADED	C	B	A	NO. OF POSITIONS LOADED	ASSY PART NUMBER

THIS DRAWING IS A CONTROLLED DOCUMENT.		DIN J. POLIGNONE DSMAYOS		Tyco Electronics Corporation Harrisburg, Pa 17105-3608	
DIMENSIONS: mm [INCHES]		TOLERANCES UNLESS OTHERWISE SPECIFIED:		NAME: ASSEMBLY, PIN, EUROCARD, TYPE R, A and C, 64/96 POSITION, .180 SOLDER POST	
0 PLC ± -	1 PLC ± -	2 PLC ± 0.13[.005]	3 PLC ± -	4 PLC ± -	ANGLES ± -
MATERIAL		FINISH		SIZE: A1	CAGE CODE: 00779
① ②		③		DRAWING NO: 5650934	RESTRICTED TO: -
CUSTOMER DRAWING		SCALE: 5:1		SHEET: 1 of 1	REV: 01